



6775 Corporate Park Drive, Loudon, TN 37774 1-800-321-3895
www.filmaxinc.com Email: sales@filmaxinc.com

MODEL FP2130P






The Filmax FP2130P High Performance Portable Filtration System is proven to reduce operating and maintenance costs at 1800 filtered gallons per hour

- Power switch with manual and automatic override circuit
- Plumbed with all brass and black iron fittings and 100R1 high pressure hydraulic hoses
- 2 HP TEFC motor with thermal overload protection
- 30 GPM mechanically sealed positive displacement pump with internal relief valve
- Inline brass flow totalizer with reset capability
- Automatic high and low pressure shutdown system for unattended operations
- Heavy duty 13.5 inch never-flat tires
- Suction wye strainer to protect the pump from large debris
- Housing manifold with 3-way ball valves provide simple transition when alternating between filtering and transferring fluids
- 1 1/2" inlet and outlet ports with camlock fittings
- Wired 240 volt, 1 phase with all electrical components in a separate NEMA 4 enclosure
- In-line dual flow manifold reduces oil spillage and waste by returning filtered oil into the reservoir without changing hoses
- F-3000 element housing epoxy powder-coated black inside and out
- 0-100 psi glycerin-filled gauge for monitoring system pressure
- 15 feet of heavy duty 14/3 power cable
- Filtration capabilities of 27 gallons per minute and fluid transfer capabilities of 30 gallons per minute

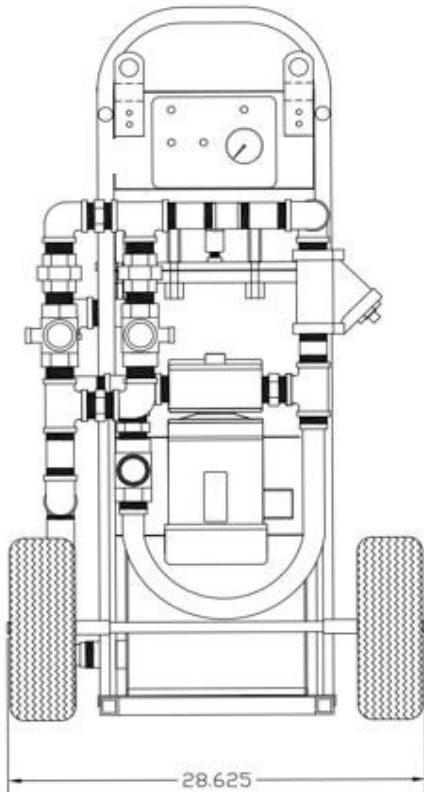


Additional Accessories and Upgrades

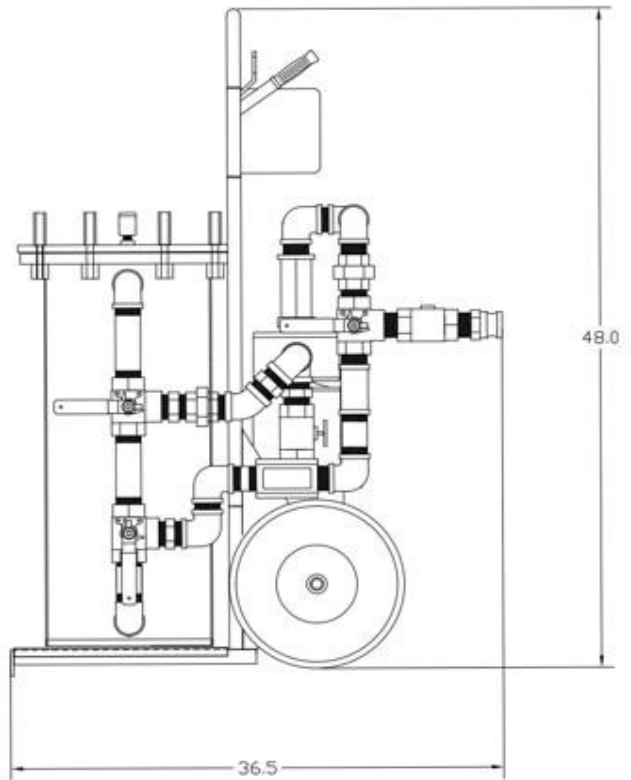
	<p style="text-align: center;">Moisture Sensor</p> <p style="text-align: center;">Detects moisture ppm in insulating oil</p>		<p style="text-align: center;">Quick Disconnect Fittings</p> <p style="text-align: center;">Adds ease and efficiency to hose disconnection while reducing labor intensity and decreasing oil spillage.</p>
	<p style="text-align: center;">1 1/2" Hydraulic Hose</p> <p style="text-align: center;">High pressure hydraulic heavy duty hose.</p> <p style="text-align: center;">**Length must be specified by customer**</p>	<p style="font-size: 1.2em;">Other customizable upgrades available- contact the Filmax sales team for your specific needs</p>	

FP2130P Diagram

Rear View



Side View



IPPC Stamped crate

Estimated crated machine shipping weight: 490lbs